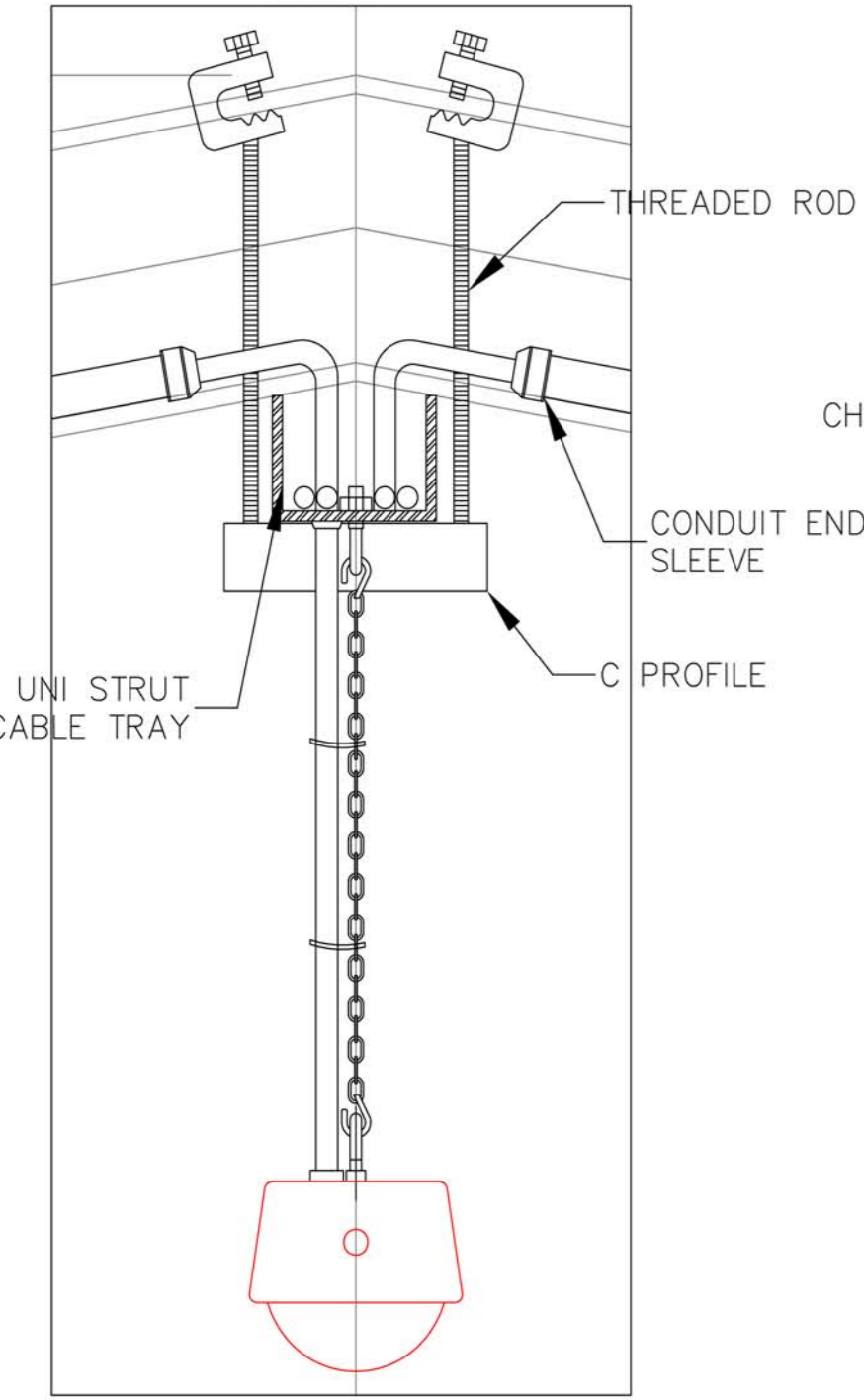
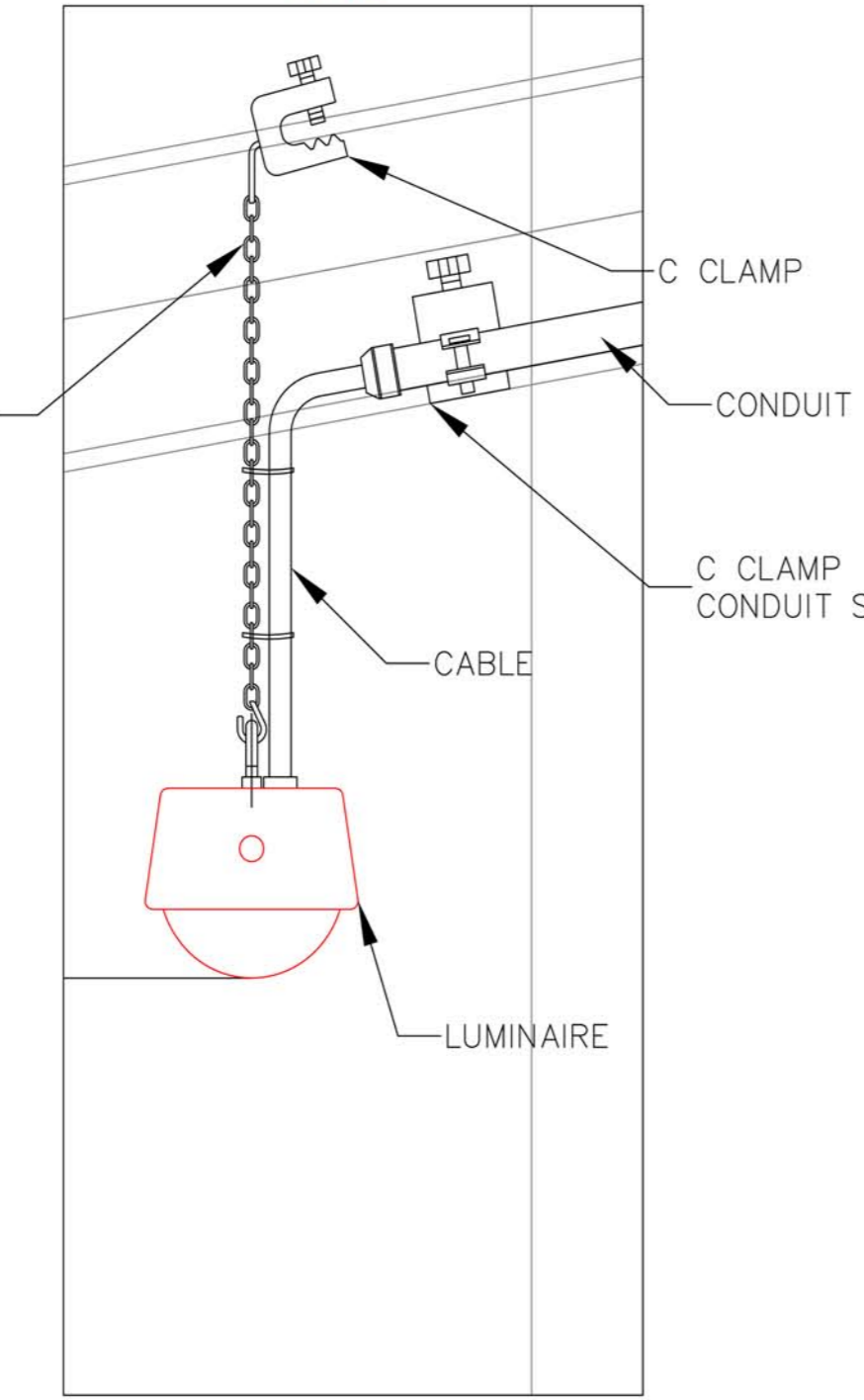


DETAIL 1
N.T.S

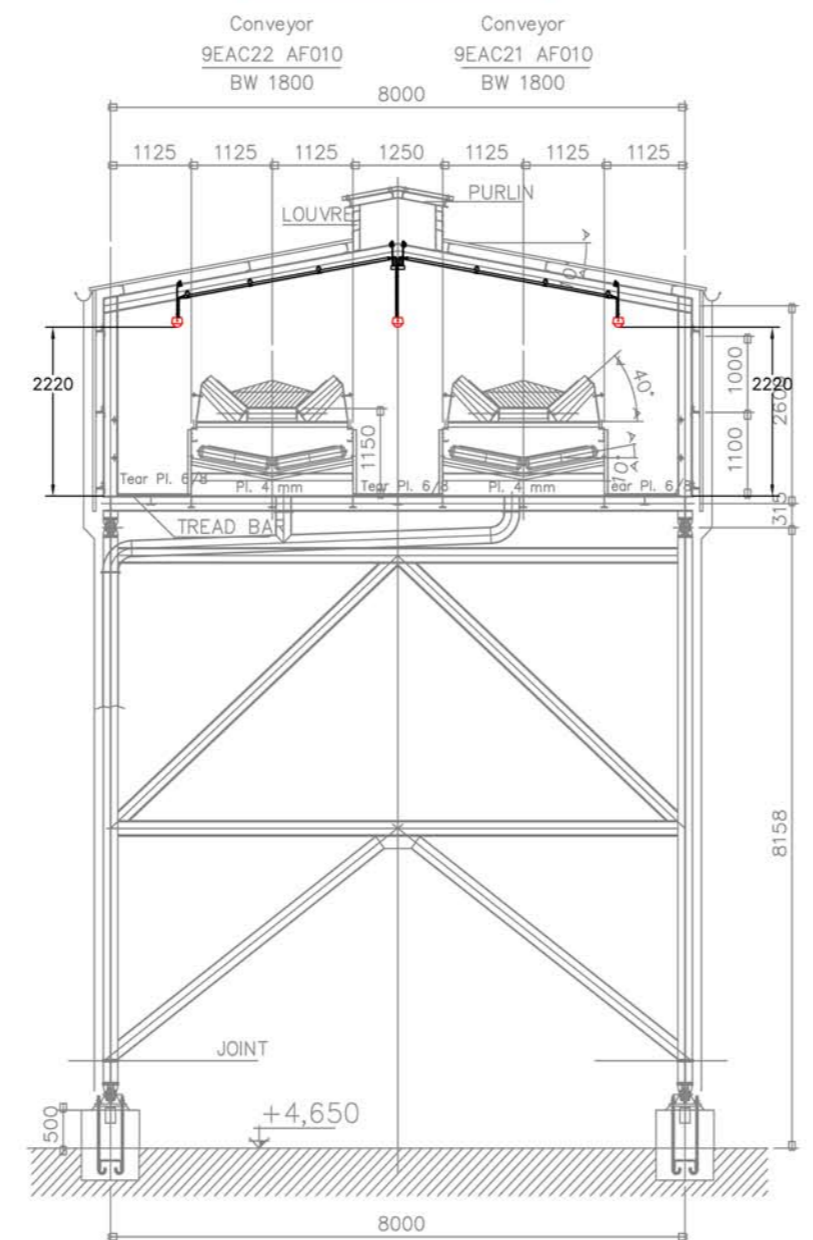


DETAIL 2
N.T.S

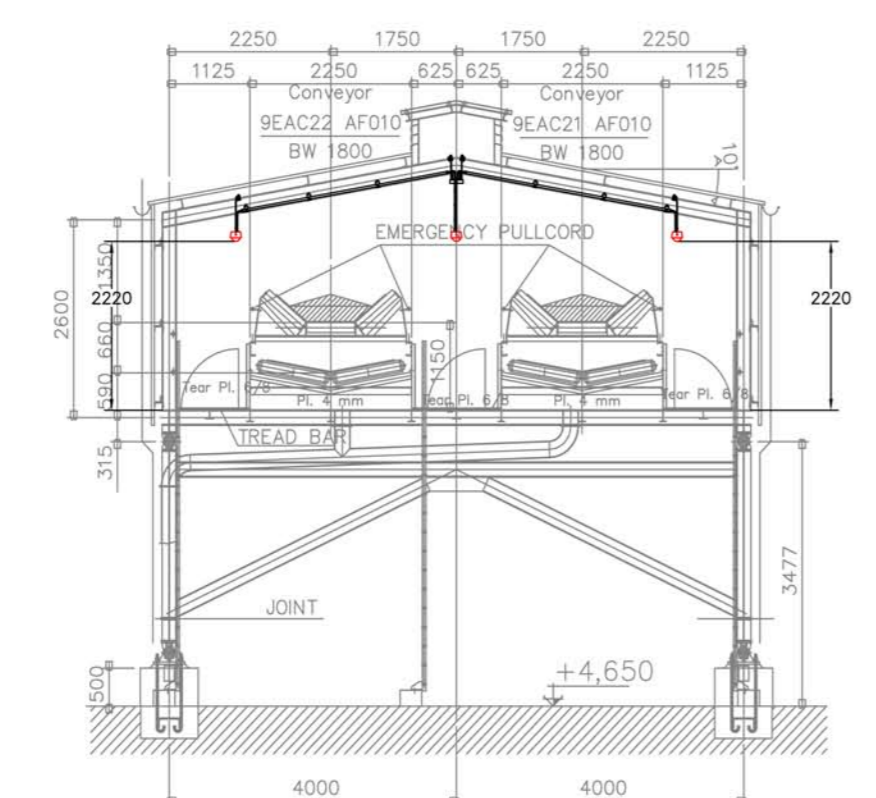


INSTALLATION DETAILS (TYPICAL)
N.T.S

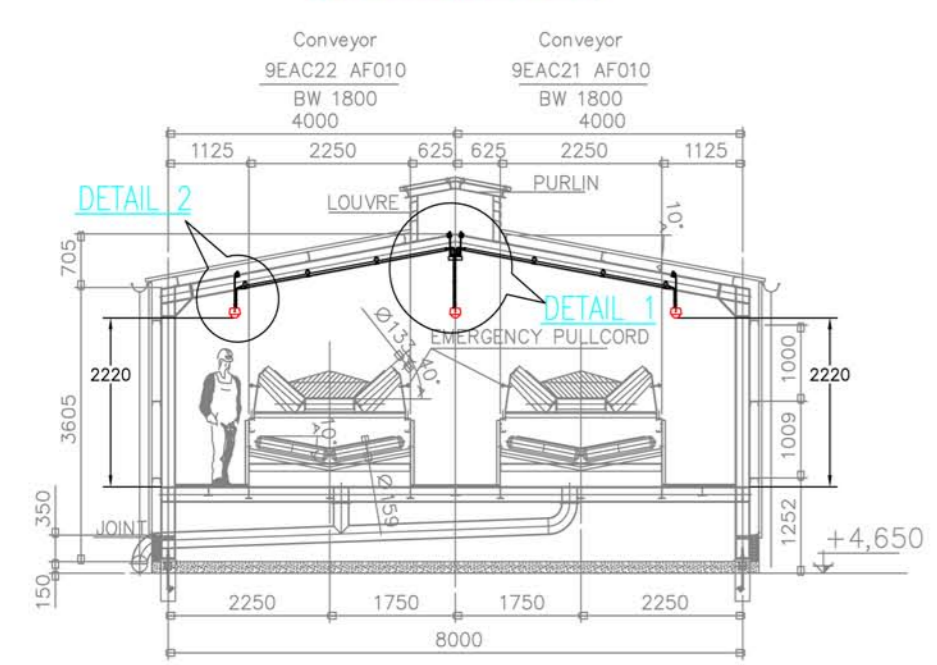
SECTION H-H



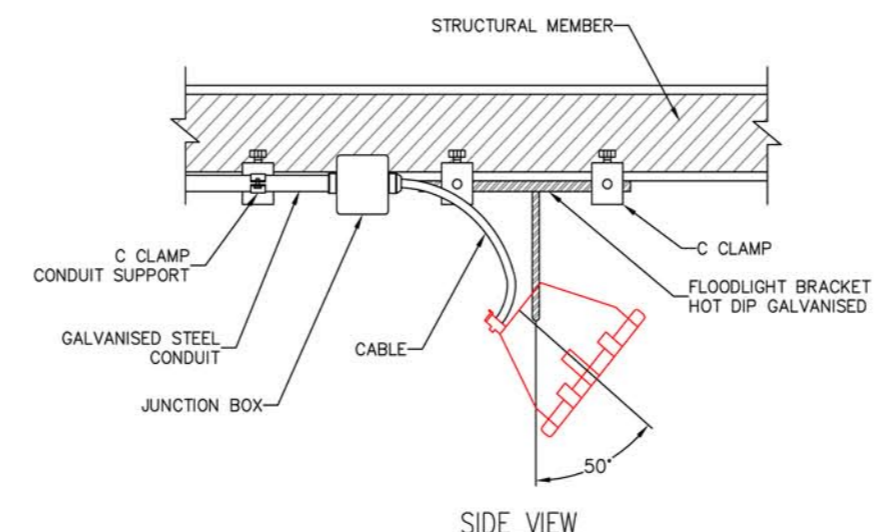
SECTION F-F



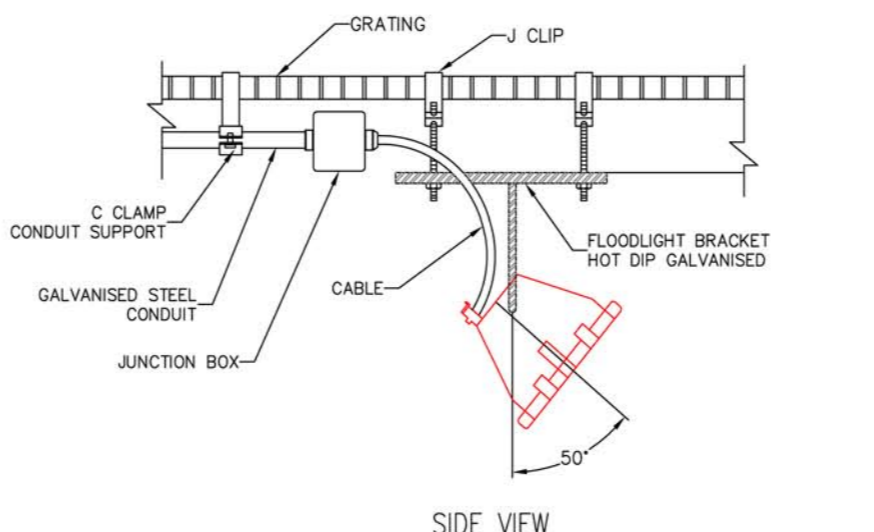
SECTION E-E



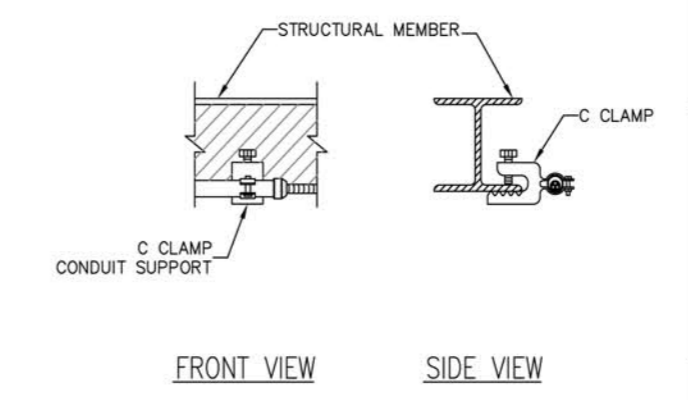
- LEGEND :-
- 1 X 70W ASYMETRICAL FLOODLIGHT WITH METAL HALIDE LUMINAIRE
 - 1 X 30W FLUORESCENT LUMINAIRE WITH INTEGRATED EMERGENCY LIGHT, IP 65
 - 1 X 30W FLUORESCENT LUMINAIRE, IP 65
 - "EMERGENCY EXIT" SIGN LIGHT
 - "YELLOW/EXIT" SIGN LIGHT
 - LIGHT SWITCH - 1 GANG SWITCH
 - FLS + EL FLOODLIGHT & EMERGENCY LAMP
 - FL FLOODLIGHT
 - HS HAND SWITCH



STRUCTURAL MEMBER MOUNTED TYPE FLOODLIGHT



WALKWAY PALTFORM (GRATING) MOUNTED TYPE FLOODLIGHT



C CLAMP CONDUIT SUPPORT (TYPICAL)

REV	DATE	AUTH.	CHECK BY	APPR. BY	MODIFICATION	STATUS
B	14/07/01	SYED REHAN	V. KUMAR		SUPERCEDES MNU/99/F/B-----/F03/GA/018	FUS
A	09/03/01	SYED REHAN	V. KUMAR		FOR APPROVAL	FUS